



High Current SMD Power Inductors - SEP1707EA SERIES



PART NUMBERING SYSTEM

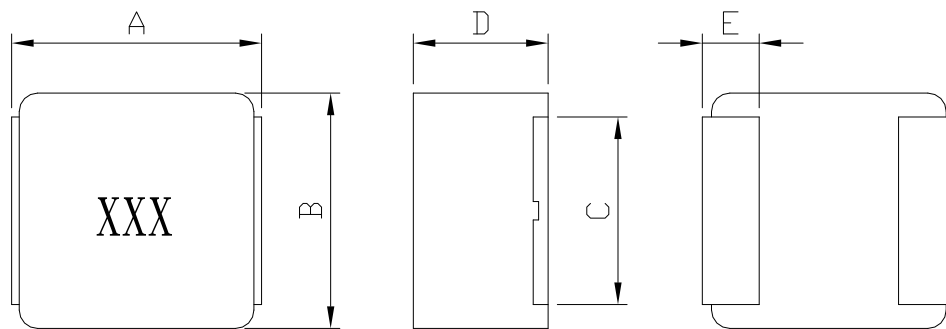
SEP	1707EA	—	6R8M	—	LF
TYPE	DIMENSIONS		INDUCTANCE		LEAD FREE

FEATURES :

- * Magnetically shielded low DC resistance .
- * Frequency range up to 2.0 MHz .
- * Handles high transient current spikes without saturation. **DC Current up to 129A .**
- * Ultra low buzz noise, due to composite construction
- * Application for DC/DC converter and PDA/notebook/desktop/server .

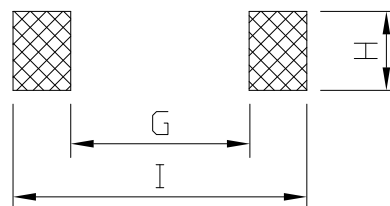
SHAPES AND DIMENSIONS :

UNIT : mm



A=18.0±0.3 B=17.15 Max. C=11.5±0.5 D=7.0 Max. E=2.5±0.5

RECOMMENDED PATTERNS



G=11.2 H= 12.28 I= 18.2

High Current SMD Power Inductors - SEP1707EA SERIES



SPECIFICATION TABLE

PART NUMBER	INDUCTANCE (μH)	I _{sat} (A) (Typ.)	I _{rms} (A) (ΔT) 40°C (Typ.)	DCR (mΩ) (Max.)	DCR (mΩ) (Typ.)	Test Freq. (KHz)
SEP1707EA-R22M-LF	0.33±20%	129	80.0	0.70	0.63	100KHz/0.25V
SEP1707EA-R33M-LF	0.33±20%	126	65.0	0.79	0.71	100KHz/0.25V
SEP1707EA-R47M-LF	0.47±20%	123	62.0	0.92	0.84	100KHz/0.25V
SEP1707EA-R56M-LF	0.56±20%	88	56.0	1.00	0.91	100KHz/0.25V
SEP1707EA-R82M-LF	0.82±20%	73	50.0	1.29	1.17	100KHz/0.25V
SEP1707EA-1R0M-LF	1.00±20%	73	48.0	1.35	1.28	100KHz/0.25V
SEP1707EA-1R5M-LF	1.50±20%	65	42.0	1.88	1.78	100KHz/0.25V
SEP1707EA-1R8M-LF	1.80±20%	65	38.0	2.07	1.96	100KHz/0.25V
SEP1707EA-2R2M-LF	2.20±20%	62	35.0	2.53	2.40	100KHz/0.25V
SEP1707EA-3R3M-LF	3.30±20%	54	28.0	3.88	3.68	100KHz/0.25V
SEP1707EA-4R7M-LF	4.70±20%	41	25.0	5.11	4.84	100KHz/0.25V
SEP1707EA-5R6M-LF	5.60±20%	40	21.0	7.05	6.68	100KHz/0.25V
SEP1707EA-6R8M-LF	6.80±20%	32	19.0	8.83	8.37	100KHz/0.25V
SEP1707EA-8R2M-LF	8.20±20%	25	18.0	10.66	10.10	100KHz/0.25V
SEP1707EA-100M-LF	10.0±20%	25	16.5	12.00	11.60	100KHz/0.25V
SEP1707EA-150M-LF	15.0±20%	25	12.5	19.90	18.80	100KHz/0.25V
SEP1707EA-220M-LF	22.0±20%	23	11.0	26.50	25.10	100KHz/0.25V

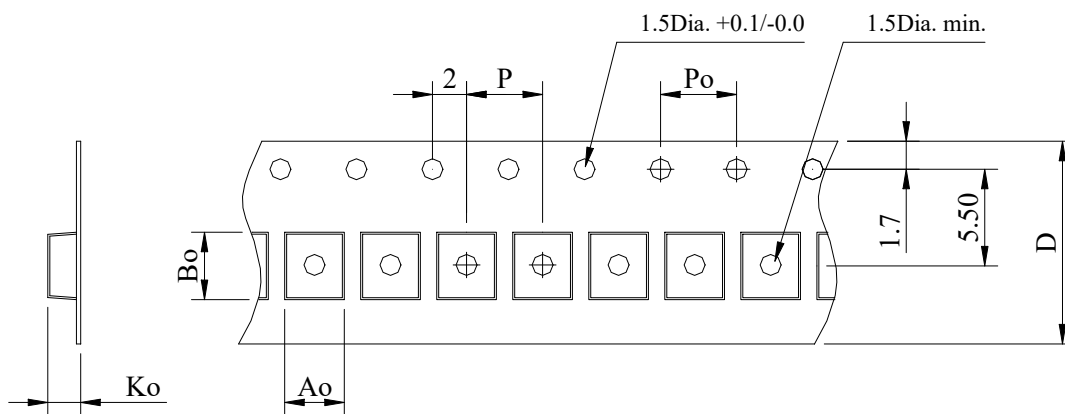
- Operating temperature range - 55 °C to + 125 °C
- I_{sat} : DC current (A) that will cause L0 to drop approximately 20 %
- I_{rms} : DC current (A) that will cause an approximate ΔT of 40 °C
- The part temperature (ambient + temp. rise) should not exceed 125 °C under worst case operating conditions.



High Current SMD Power Inductors - SEP1707EA SERIES



PACKAGING SPECIFICATION



STAYLE	Q'TY (PCS)	DIMENSIONS (m/m)					
		A_o	B_o	K_o	P	P_o	$D\pm 0.3$
13"	300	17.5	18.0	7.5	20	4.0	24